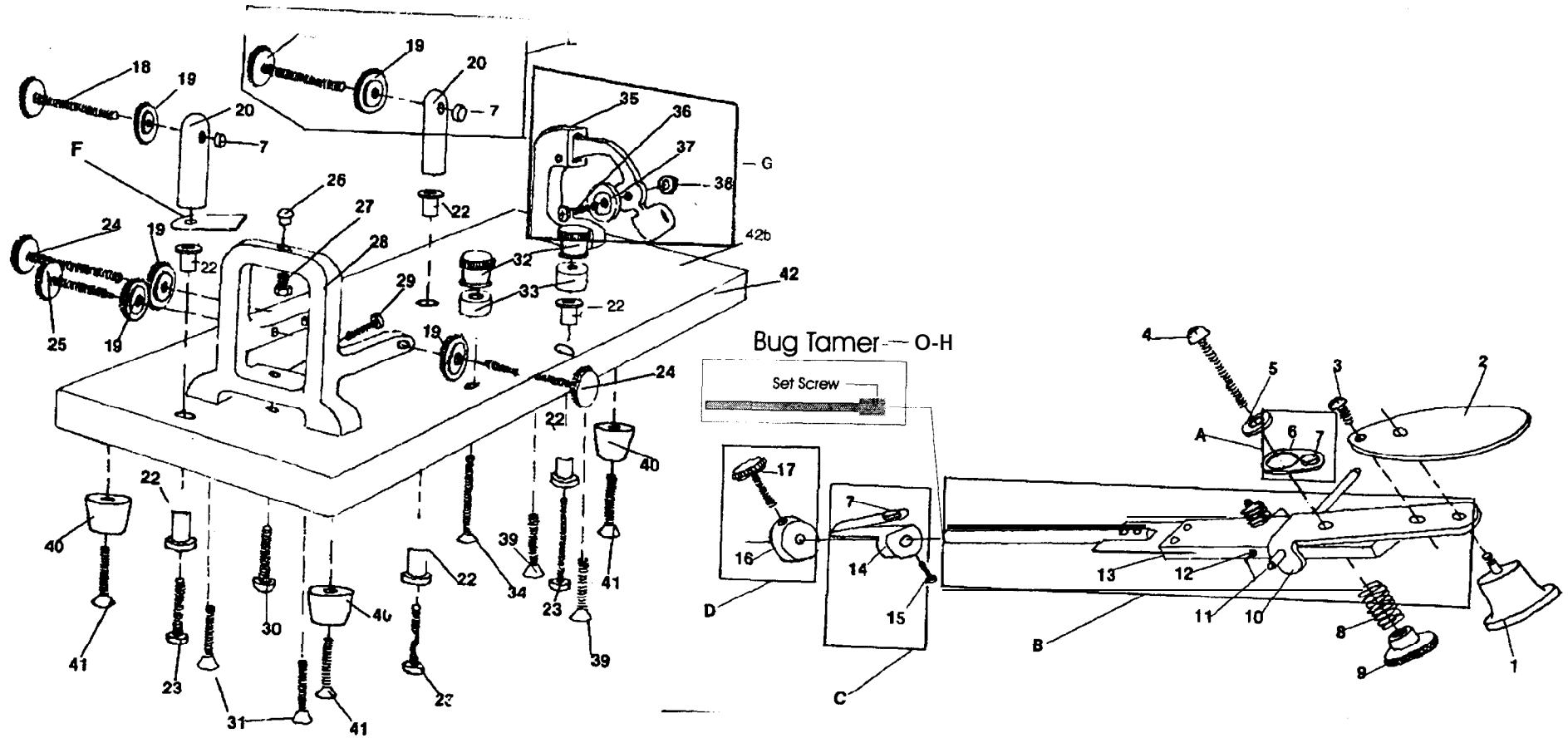


ELUE RACER - 2000



# Blue Racer Standard / Deluxe

Parts List O-4-99

Part Number	Part Name	Price	Quantity	Amount	Part Number	Part Name	Price	Quantity	Amount
			Order	(Price x Qty)				Order	(Price x Qty)
0-1	4000	Finger Piece-Red	5.00	_____	0-35	2007	Damper Frame	24.00	_____
0-1a	4002	Finger Piece Blk	5.00	_____	0-36	2009	Damper Wheel Screw	1.50	_____
0-2	4001	Thumb Piece-Red	4.00	_____	0-37	2011	Damper Wheel	5.00	_____
0-2a	4003	Thumb Piece Blk	4.00	_____	0-38	2010	Damper Wheel Nut	1.50	_____
0-3	4026	Thumb Piece Screw	4.00	_____	0-39	8030	Damper Frame Screw	1.50	_____
0-4	4005	Dash contact screw	2.00	_____	0-40	8020	Rubber Feet	2.00	_____
0-5	4013	Washer for lever contact	2.00	_____	0-41	8021	Rubber Foot Screw	1.50	_____
0-6	4008	Contact Slide (dot/dash)	4.00	_____	0-42	7017	Chrome Base	NOT AVAILABLE	_____
0-7	4009	Silver Contact Point	5.00	_____	0-42a	7016	Blue Base	45.00	_____
		(See note #2 for O-7)			0-43	8001	3 1/2" Contact Strip	3.00	_____
0-8	4006	Dash Coil Spring	3.00	_____	0-44	8003	3 1/2" Insulation strip	3.00	_____
0-9	4007	Dash coil tension sprg. nut	4.00	_____	0-45	8007	2 3/4" Contact Strip	3.00	_____
0-10	3006	Yoke	14.00	_____	0-46	8009	2 3/4" Insulation strip	3.00	_____
0-11	4015	Deluxe Trunion Pin	8.00	_____	<b>ASSEMBLIES</b>				
0-12	4021	Dot Coil Spring	4.00	_____	O-A	408.1	Dot/Dash contact slide	9.00	_____
0-13	3000	Lever Bar w/rod & spring	40.00	_____			Includes O-6 & O-7		
0-14	4024	Dot Contact Spring	12.00	_____	O-B	302	Lever arm includes O-10,	66.00	_____
0-15	4026	Dot Contact Spring Screw	1.50	_____			O-11, O-12 & O-13		
0-16	5002	Lrg. round speed weight	8.00	_____	O-C	408a	Dot Contact Spring	18.50	_____
0-16a	5001	Med. round speed weight	8.00	_____			includes O-7, O-14 & O-15		
0-16b	5000	Sm. round speed weight	8.00	_____	O-D	402	Large Speed Weight	12.00	_____
0-17	5003	Speed Weight Screw	4.00	_____			includes O-16 & O-17		
0-18	4010	Contact Screw	4.00	_____	O-DA	401	Med. Speed Weight	12.00	_____
0-19	1013	Locknuts	4.00	_____			includes O-16a & O-17		
0-20	4011	Short Contact Post	8.00	_____	O-DB	400	Sm. Speed Weight	12.00	_____
0-22	8035	Nylon Insulator	1.50	_____			includes O-16b & O-17		
0-23	8023	Insulation strip screw	1.50	_____	O-E	406	Contact post includes	26.00	_____
0-24	1011	Lever Stop Screw	4.00	_____			O-7, O-18, O-19 & O-20		
0-25	1012	Dot coil spring		_____	O-G	200	Damper Frame includes	32.00	_____
		tension screw	4.00	_____			O-35, O-36, O-37 & O-38		
0-26	8018	Red Decor. Top Pc.	5.00	_____	O-H	409	Bug Tamer Set Chromed	24.95	_____
0-27	1004	Upper trunion screw		_____		409.1	Bug Tamer Set Brass	20.00	_____
		w/ jewel.	11.00	_____					
0-28	1000	Mainframe	40.00	_____					
0-29	1005	Trunion lock screw	1.50	_____					
0-30	1002	Lower trunion screw		_____					
		w/jewel	11.00	_____					
0-31	8026	Mainframe screw	1.50	_____					
0-32	8011	Binding Post Nut	4.00	_____					
0-33	8012	Binding Post Collar	4.00	_____					
0-34	8024	Binding post collar screw	1.50	_____					

Subtotal \_\_\_\_\_  
 (see note) Shipping and Handling \_\_\_\_\_  
 Total Amount Enclosed \_\_\_\_\_

NOTE:  
 Parts are non-returnable. PLEASE, be sure that you order the correct parts for your key!

## ORDERING INFORMATION

\_\_\_\_\_  
 (Call)

\_\_\_\_\_  
 (Name)

\_\_\_\_\_  
 (Telephone)

\_\_\_\_\_  
 (Date)

\_\_\_\_\_  
 (Street)

\_\_\_\_\_  
 (City) (State) (Zip)

- NOTES**
1. Please supply the complete street address and zip code. No delivery can be made to a Post Office Box Address.
  2. If you need new contact points, please order complete assembly unless you are equipped to install the points yourself.
  3. Please be sure that the form is legible and completely filled out.
  4. If possible, include a day time phone number where you can be reached, should a problem occur we can contact you.
  5. Shipping varies per location and total weight.

HOW PAID: (\$15.00 minimum on credit cards)

\_\_\_\_\_ Check/Money Order  
 \_\_\_\_\_ Credit Card (Specify)

Card # \_\_\_\_\_ Exp. Date: \_\_\_\_\_

\_\_\_\_\_  
 (Signature)

**THE VIBROPLEX COMPANY, INC**  
**11 MIDTOWN PARK EAST**  
**MOBILE, ALABAMA 36606-4141**  
**(334) 478-8873 Fax (334) 476-0465**